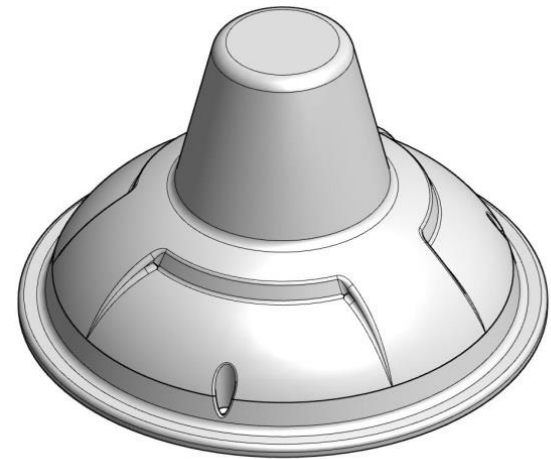


# Multi-Band Omni Antenna

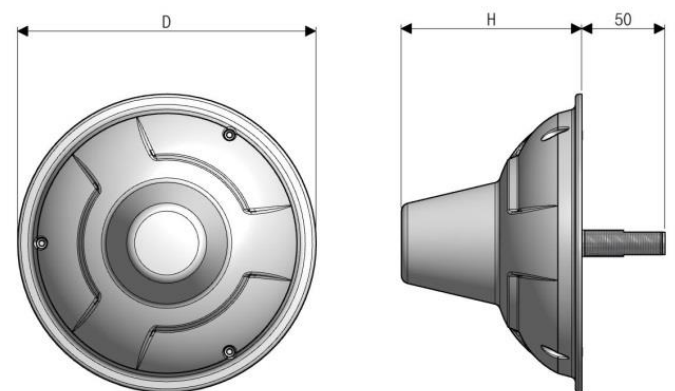
819~960, 1710~2690, 3350~3900MHz / 2, 3, 4dBi

## Omni\_2dBi\_3.5Ghz

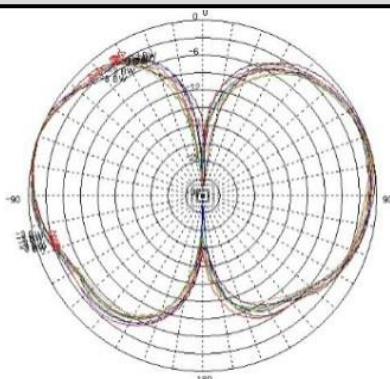
i. Electrical Specification				
Frequency Range	819~960	1710~2690	3350~3900	
Polarization	Vertical			
Band Width	141MHz	980MHz	550 MHz	
Gain	≥ 2 dBi	≥ 3 dBi	≥ 4 dBi	
Beam width	Horizontal	360°		
	Vertical	30°~140°	30°~90°	20°~50°
F-B ratio (Horizontal & Vertical)	-	-	-	
VSWR	1:1.7	1:1.6	1:1.6	
Impedance	50 Ω			
IMD	≤ -140dBc @ 2x37dBm (3rd) ≤ -160dBc @ 2x37dBm (5th)			
Maximum input power	10 W			



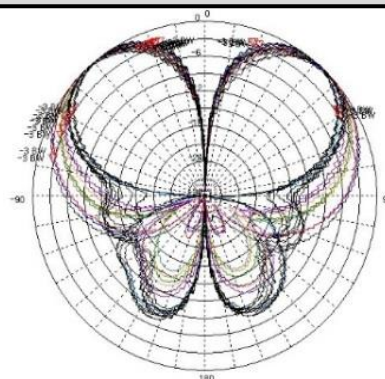
ii. Mechanical Specification	
Radom Dimension (DxH )	180Ø x 109 mm (LGU+규격 :205Ø x 115 mm)
Weight ( without bracket )	≤ 500 g
Connector Type	N-Female x 1
Radiator Material	황동, AL, PCB(부식방지처리)
Radome Material	ABS / ASA / Anti-UV-PVC 중 택1
Radome Color	회색,흰색,아이보리색 중 택1
Vibration	3Grms
Temperature	-40 °C ~ 70 °C



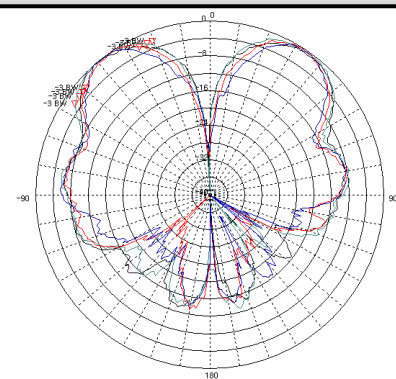
## iii. Radiation Pattern



Vertical Pattern  
(819-960 MHz)



Vertical Pattern  
(1710-2690 MHz)



Vertical Pattern  
(3400-3700 MHz)